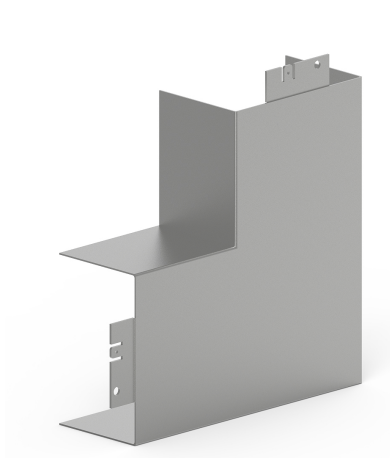


Date: 24.04.2026

Flat angle LFS 60x100, steel, zinc



Product description

Flat angle as moulded hood for installation trunking, for cable routing with a 90° change of direction.

Basic data

Item number	2334
Product group	10-Cable routing
Packing unit	1 piece
EAN code	4018475023345
Tariff number	73089059

Technical features

Height	60 mm
Width	100 mm
Model	Moulded hood
Angle	from 90 to 90 °
Material	plastic
Material quality	other
Halogen free	yes
Anti-bacterial treatment	no
Surface protection	untreated
Suitable for circuit integrity	no
Colour	zinc
With protective foil	no
Type of fastening	snap on
Degree of protection (IP)	IP30
Impact strength	IK07
Operating temperature	from -5 to 60 °C